

# Providing *everyone* with pure drinking water..

Mountain Fresh Drinking Fountains, Proudly designed and made in NZ.

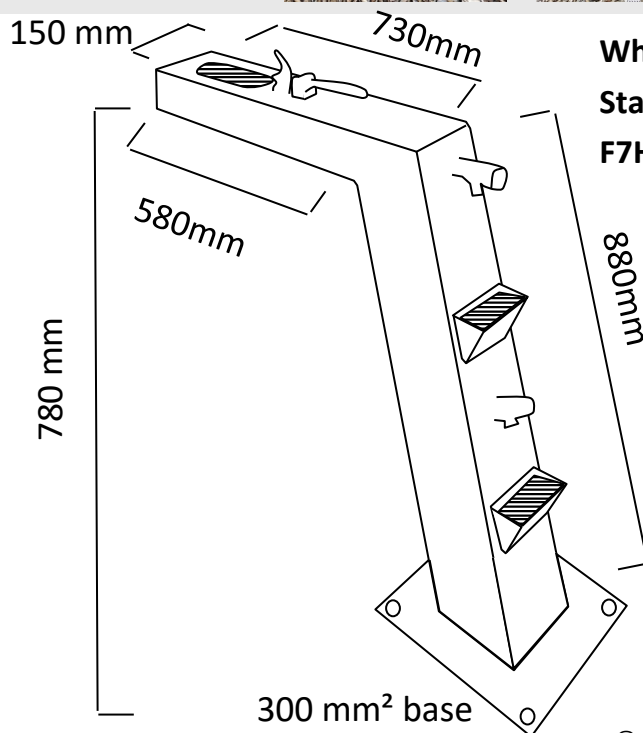
## Wheelchair accessible free standing drinking fountain F7H

Wheelchair access, soft push, freestanding stainless steel drinking fountain. Ideal for parks, beaches, schools, sports centres and public spaces.

### Specifications:

- Soft push one touch easy access time delay drinking bubbler (5 seconds)
- Water purifier fitted for hardware and chemical protection
- Push button bottle filler
- All hardware internally drained
- 3mm wall thickness
- 5mm mounting plate or can be concreted in ground
- Security keyed maintenance tap

**Dimensions:** 880mm high with 580mm cantilevered arm



Wheelchair Accessible Free Standing Drinking Fountain— F7H

 **mountain fresh.**

© Mountain Fresh Limited May 2016

[www.mountainfresh.co.nz](http://www.mountainfresh.co.nz)  
0800 787 342 | [sales@mountainfresh.co.nz](mailto:sales@mountainfresh.co.nz)