

Providing *everyone* with pure drinking water..

Mountain Fresh Drinking Fountains, Proudly designed and made in NZ.

Stainless Steel Fountain F6P

Freestanding stainless steel internally drained drinking fountain

For outdoor use, ideal for coastal areas!

Specifications:

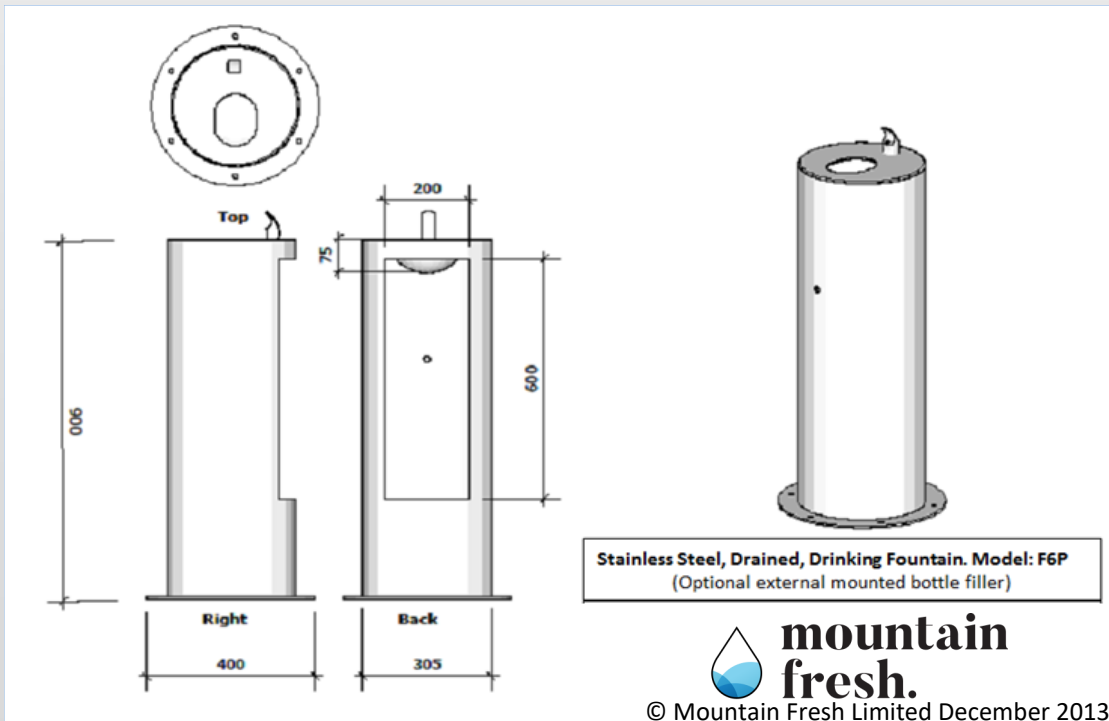
- 304 stainless steel
- Bubbler tap
- Water purifier fitted
- 3mm wall thickness
- 5mm mounting plate
- 40mm waste outlet

Dimensions: Height—900mm. Diameter—300mm.

Options: Bottle Filler, Maintenance tap, Vandal resistant shrouds.

For wheel chair access, see model F7D

Code F6P



www.mountainfresh.co.nz
0800 787 342 | sales@mountainfresh.co.nz