

Providing *everyone* with pure drinking water..

Mountain Fresh Drinking Fountains, Proudly designed and made in NZ.

Variable Heights Fountain F3A

Freestanding mild steel, galvanised and powder coated, plate mounted drinking fountain. Robust build, available in varied heights, designed and made in New Zealand

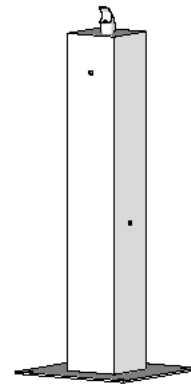
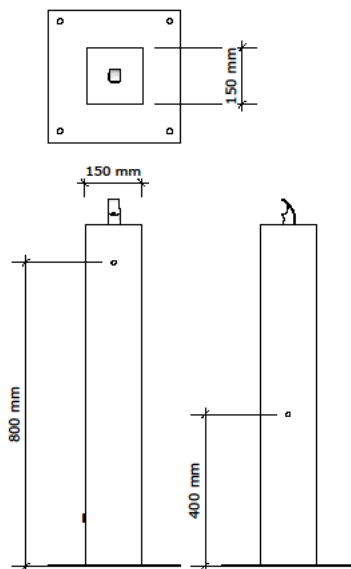
Specifications:

- Bubbler Tap
- Bottle filler
- Maintenance tap
- Water purifier fitted
- 5mm wall thickness

Dimensions: Height—900mm x 150mm square.

Options: We can also reduce the height of the fountains and add extra bubblers for junior and primary schools

Code F3A



**mountain
fresh.**

© Mountain Fresh Limited
November 2013

www.mountainfresh.co.nz
0800 787 342 | sales@mountainfresh.co.nz