

Providing *everyone* with pure drinking water..

Mountain Fresh Drinking Fountains, Proudly designed and made in NZ.

Freestanding Plate Mounted Fountain F1D-P

The all new, cost effective drinking fountain with single bubbler tap . Freestanding, mild steel, plate mounted drinking fountain. Powder coat in your choice of colour. Robust build, available in varied heights, designed and made in New Zealand.

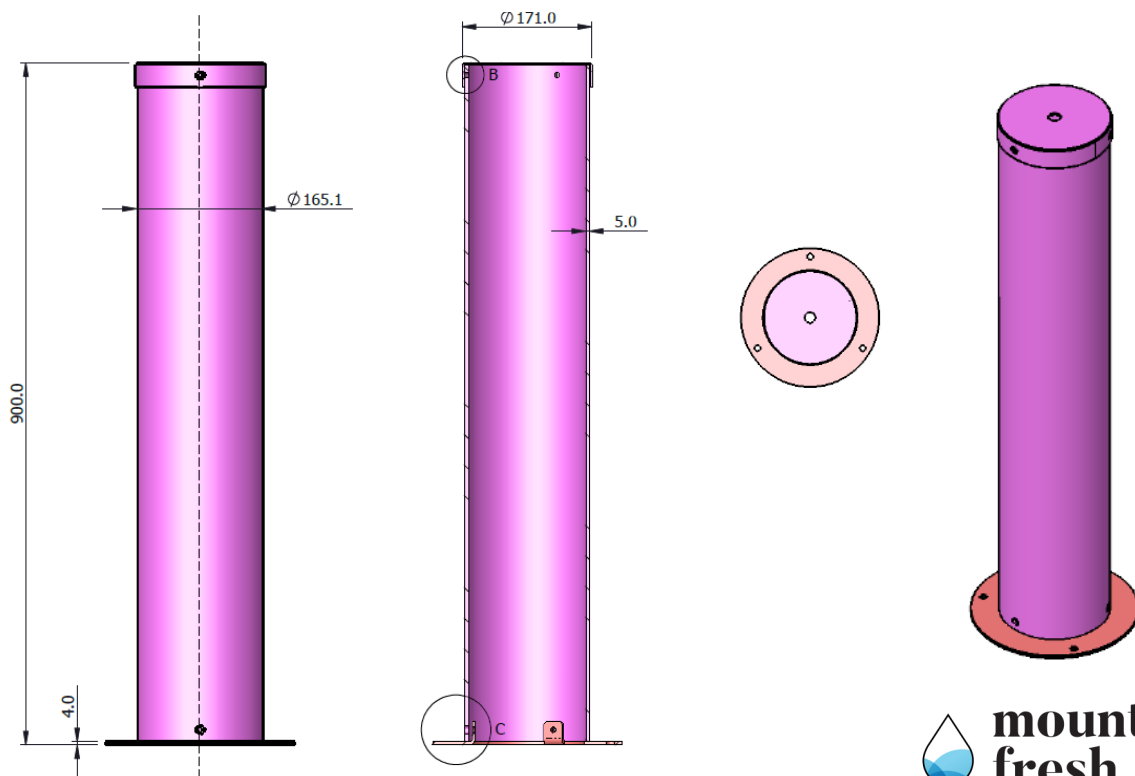
Specifications:

- Single bubbler Tap with or without side mounted bottle filler
- Water purifier fitted
- 3mm wall thickness

Dimensions: Height—900mm x 150mm round.

Options:

- Side mounted bottle filler
- 700mm height option



 **mountain
fresh.**

© Mountain Fresh Limited November 2016

www.mountainfresh.co.nz
0800 787 342 | sales@mountainfresh.co.nz